

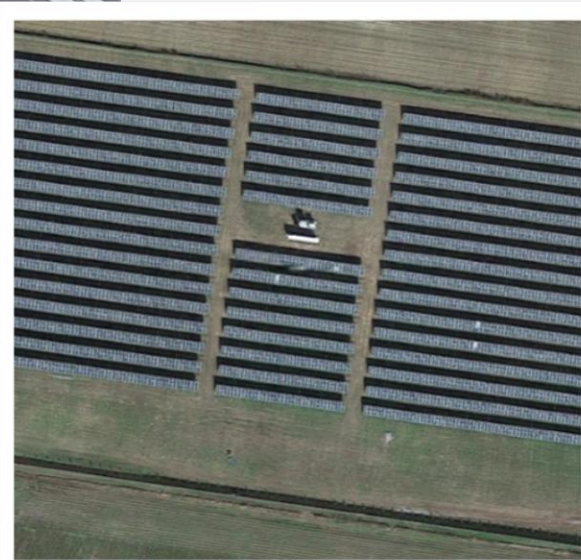


Making 2¢ a kWh Solar Possible



EXPERIENCED SOLAR VETERANS

- 25+ domestic and international commercial and utility scale solar projects
 - CA, MA, NJ, DC, NC, South Africa



DEEP TALENT POOL



Dr. Reginald Parker
President & CEO

25 years of technology commercialization, corporate strategy, and R&D experience at BCG, Dow Chemicals, 510nano, Nanotailor, FAMU & UND.



Tim L. O. Webb
Biz Development

25 years of sales, banking, and transaction experience with Vivint solar, Sunrun, 510nano, Bank of America, and Price Waterhouse .



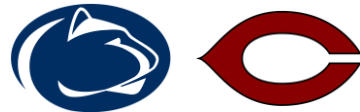
Charelle Lans
Operations

10 years of engineering and operations experience at Southwire, Johnson and Johnson, Kellogg, Vision Strategy, and Mars Company.



Dr. Ibrahim Braimah
International Sales

20 years of export-import and engineering experience at Catepillar, Go Global Logistics, and General Mining and Construction Industrial.



THE
INDUSTRY
NEEDS TO
INNOVATE



SUBSIDIES ARE REQUIRED FOR
PROFITABILITY



SUBSIDIES ARE FALLING FAST
OVER THREE YEARS



EFFICIENCY GAINS AND LOWER
COSTS ARE NOT ENOUGH



VALUE IS OUR SOLUTION

33%

Less Land

90%

More Electricity

3 yrs

Faster Payback

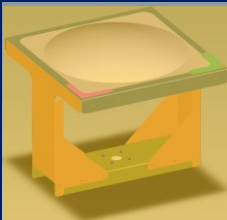


DE-RISKED BUSINESS MODEL

1

Optimal Solar

Innovate, market, and sell
VIA™ module



2

Contract Manufacturer

Build, ship, and track VIA™
modules



3

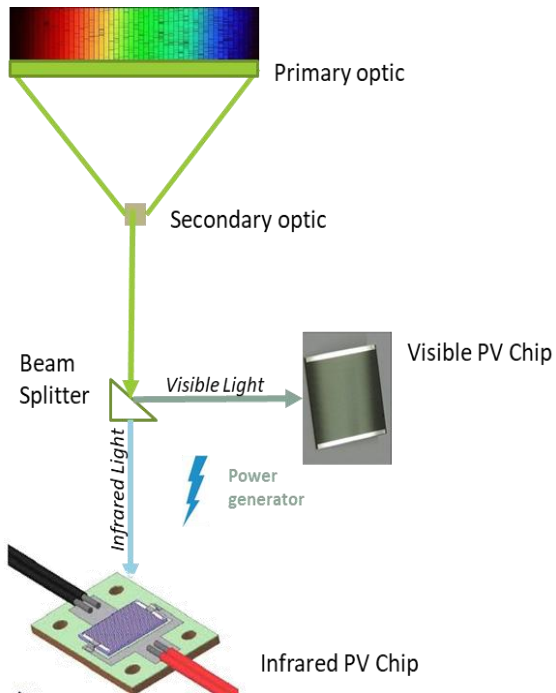
Installer Network

Deploy electrical solution
and provide O&M support





WE USE A FULL SPECTRUM SOLUTION



C1 Capture: **40%** more sunlight than fix tilt.



C2 Concentrate: up to **1500X** concentration.



C3 Convert: split light with **53% efficiency** with visible light and 20% with IR light.



OPTIMAL SOLAR MAKES MORE “CENTS”

Commercial & Industrial Competitive Landscape					
Generating Source	Size Area/300W	Ownership	Land Use (Ac/MW)	Efficiency (%)	C&I Cost (\$/kWh)
Optimal Solar	9 sq. ft.	Yes	3	40.3	4.5
Traditional Solar	21 sq. ft.	Yes	8.1	18.9	6.0
Wind	n/a	Yes	25	35	5.6
Utility Energy	n/a	No	n/a	n/a	8

VIA™ is the best solution for the generating source you can own!



LARGE AND GROWING MARKET

CAGR of until 2022



Global market in 2018





CONTACT

Reginald Parker, PhD, MBA
reginald.parker@optimalsolar.energy
v: 919-521-5982
vm: 202-596-7334