

Technical Assistance Request:

We need help from an expert with experience 3D printing Inconel 740H, 316L Stainless, or equivalent materials using an additive approach. In addition to material specific deposition we also need guidance with best practices in design. Below is an illustration with dimensioning and tolerancing of the proposed geometry that will be printed.

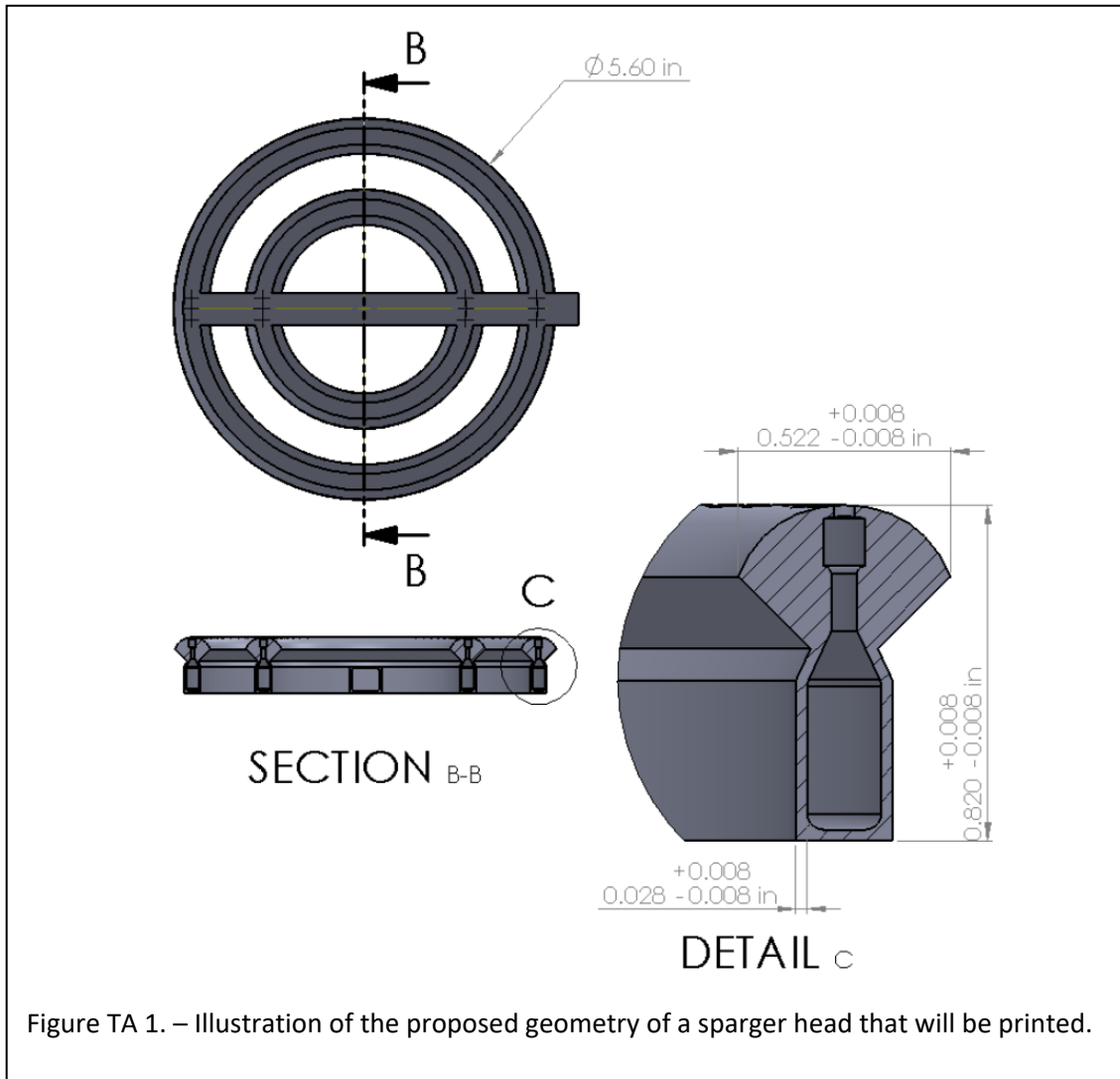


Figure TA 1. – Illustration of the proposed geometry of a sparger head that will be printed.